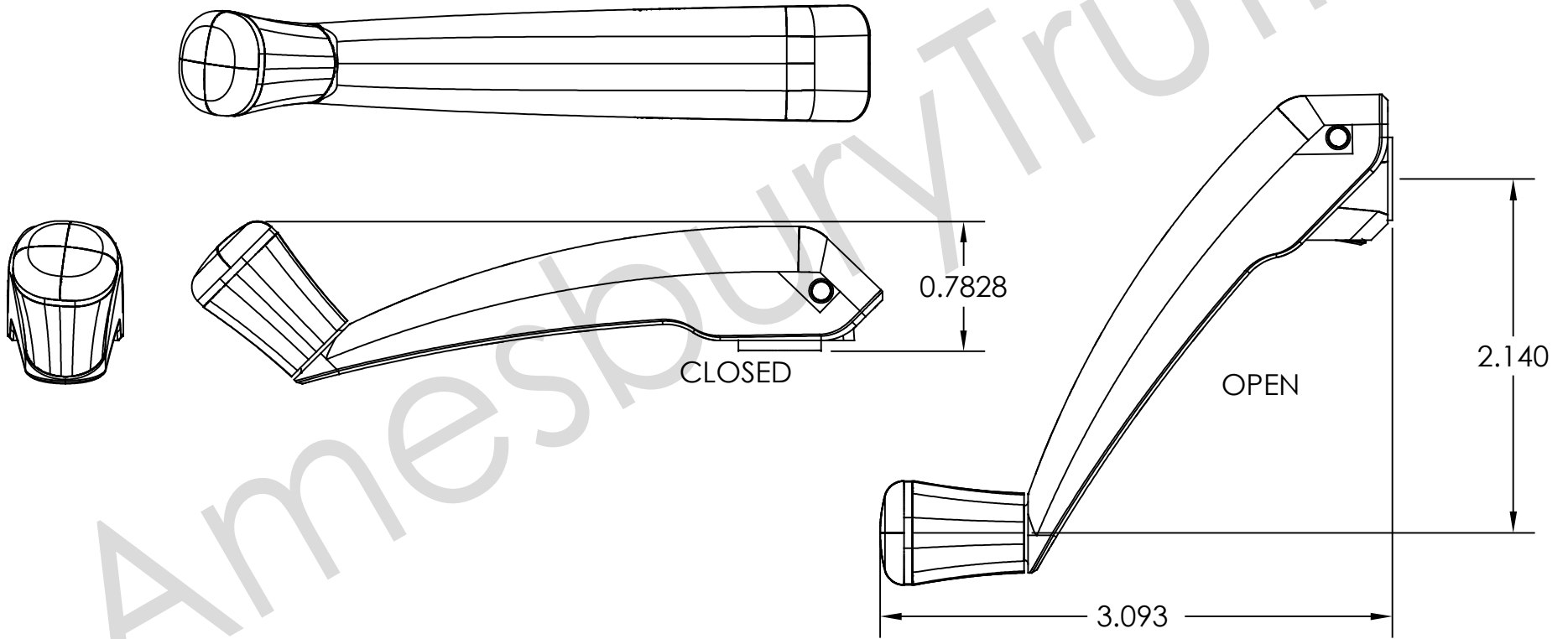


REV	DESCRIPTION	DATE	EC #	BY
-----	-------------	------	------	----



CUSTOMER PAGE

MATERIAL:	
FINISH:	
HEAT TREAT:	
SURFACE AREA: IN ²	WEIGHT: LBS

Amesbury Truth
 Engineered Solutions. Trusted Results.

THE INFORMATION CONTAINED IN THIS DRAWING IS CONFIDENTIAL AND PROPRIETARY. THIS DRAWING IS NOT TO BE COPIED OR REPRODUCED IN WHOLE OR IN PART WITHOUT EXPRESS WRITTEN PERMISSION.

INTERPRET PER:
ASME Y14.5M-2009

UNITS: INCH

THIRD ANGLE PROJECTION

DRAWING TITLE:
FOLDING HANDLE

SCALE: 1:1

DRAWING #: **11329.XX**

SHEET 1 OF 1